

Contract Manufacturing Plastic Injection Molding

Focused on tight tolerance
medical and industrial
injection molding

Shibaura EC200SX 6.3oz - Yushin Robot
Shibaura EC55SX 2.2oz - Yushin Picker
LS 110V Vertical Two Station, 4.9oz

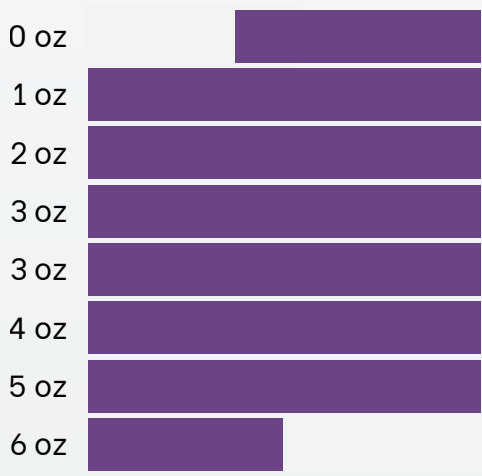


Featuring

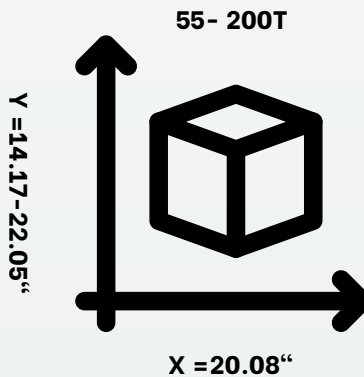
- Multi-cavity tooling
- Hot/cold runner systems
- Hydraulic core pulls
- Rapid mold revisions
- In mold labeling
- Insert molding pleated filter material

Part Weight/Size

● | Tonage Range 55-...



Mold/Platen Size Ranges



Capabilities

- Secondary assembly operations
- Final packaging
- ISO13485:2016
- ISO9001:2015



Superior can mold almost any commodity or engineering grade resin



Call Us
800-255-3358



Visit Our Website
www.superiorfelt.com



Corporate HQ
1150 Ridgeview Drive
Mchenry, IL